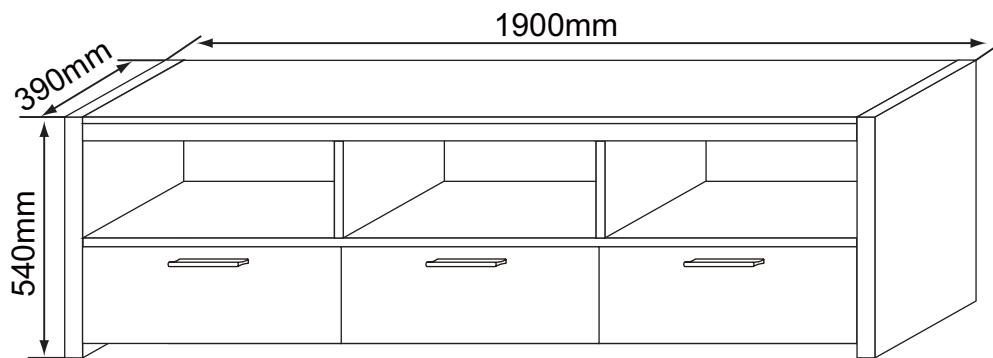


Assembly Instruction



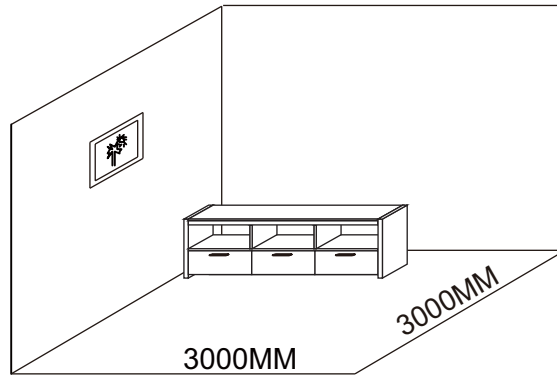
Item Code: 51835
SUMMIT 1900 ENTERTAINMENT UNIT



Please read the assembly instruction carefully before assembling.

**IMPORTED BY AMART FURNITURE PTY LTD, BRISBANE,
QLD, AUSTRALIA
CUSTOMER SERVICE FREECALL 1800 351 084**





<p>ALLOW 45MINUTES</p>	<p>PEOPLE REQUIRED</p>
<p>ADDITIONAL TOOLS REQUIRED</p>	

! WARNING

Serious or fatal injuries may occur from furniture toppling over. To help avoid this please follow the below recommendations:

- Install the provided "Tipping Kit" as per the instructions
- Never allow children to climb on or hang off of any part of this product
- Unless specifically designed to accommodate, do not set TVs or other heavy objects on top of this product

If this product has drawers:

- Place the heaviest items in lowest drawers
- Do not open more than 1 drawer at a time as this may cause the product to become unbalanced
- Do not tamper with or remove any drawer interlocking/running system

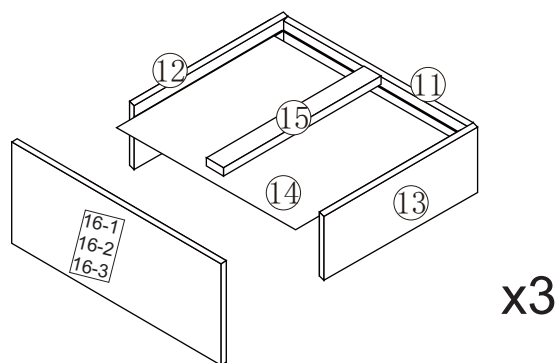
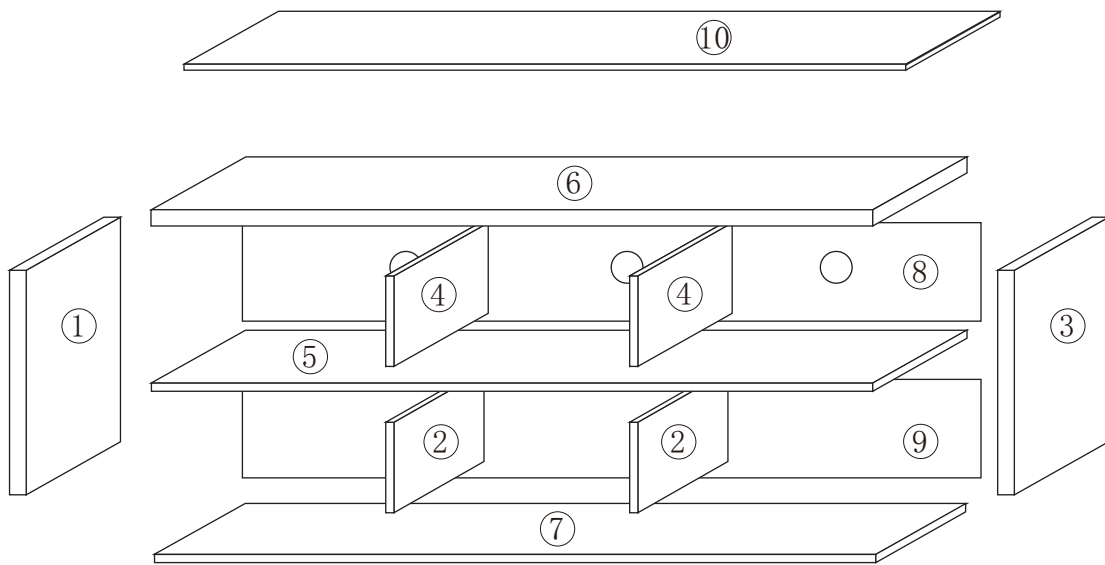
Note: The use of the provided "Tipping Kit" may reduce but not necessarily eliminate the risk of furniture toppling over. Please use this product with caution.

This is a permanent label. Do not attempt to remove!

Assembly is to be carried out by a competent adult only.
During assembly children should be kept away from the product due to possible risk of injury.
Do not use this item if any components are missing or damaged.
Please keep these instructions for future reference.









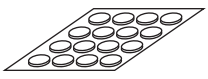
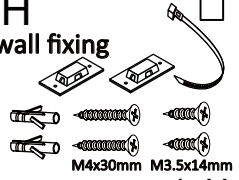
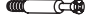






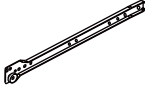
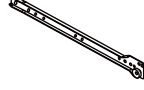


EXPLODED EXAMPLE

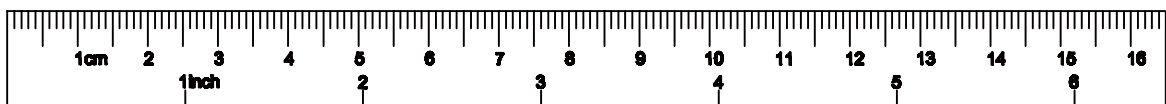


CHECKLIST

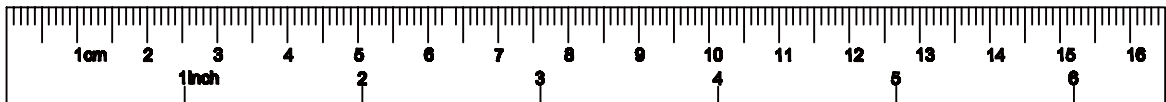
Before you start.....

1. Choose a clean, level, spacious assembly area. Avoid hard surfaces that may damage the product.
2. Check and ensure that you have all required contents for complete assembly.
3. Always read the assembly instructions carefully before beginning assembly.
4. The packaging and contents can be a choking hazard. Please keep out of reach of small children at all times.
5. Do not over tighten the bolts as this may damage the thread.

<input checked="" type="checkbox"/>	<input type="checkbox"/> A screw  M5x40mm 20xA	<input type="checkbox"/> B dowel  M8x50mm 20xB	<input type="checkbox"/> C cam pin  M7x39mm 20xC	<input type="checkbox"/> D cam lock  M15x12mm 36xD	<input type="checkbox"/> E adjustable leg  2xE
	<input type="checkbox"/> F white foot nail  4xF	<input type="checkbox"/> G anticollision particles  16xG	<input type="checkbox"/> H wall fixing  M4x30mm M3.5x14mm 1xH	<input type="checkbox"/> I cam pin  M7x53mm 16xI	<input type="checkbox"/> J round head screw  M3x16mm 16xJ
	<input type="checkbox"/> K  3xK	<input type="checkbox"/> L mushroom head screw  M4x12mm 8xL	<input type="checkbox"/> M  1xM	<input type="checkbox"/> N screw  M3.5x14mm 36xN	<input type="checkbox"/> O dowel  M8x30mm 4xO
	<input type="checkbox"/> CL runner  3xCL	<input type="checkbox"/> CR runner  3xCR	<input type="checkbox"/> DL runner  3xDL	<input type="checkbox"/> DR runner  3xDR	<input type="checkbox"/>

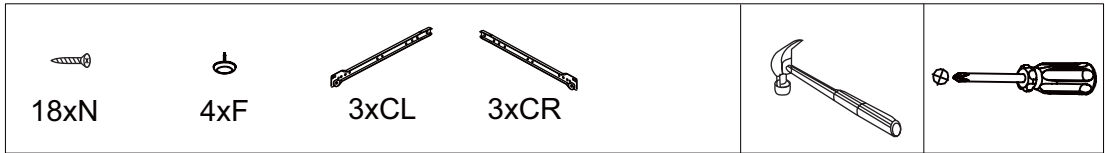


PART NUMBER	QTY	DIMENSIONS (MM)
1	1	390x535x30
3	1	390x535x30
2	2	369x225x15
4	2	386x195x15
5	1	388x1840x15
6	1	388x1840x30
7	1	370x1840x15
8	1	235x1880x2.7
9	1	235x1880x2.7
10	1	390x1840x8
11	3	140x548x15
12	3	140x330x15
13	3	140x330x15

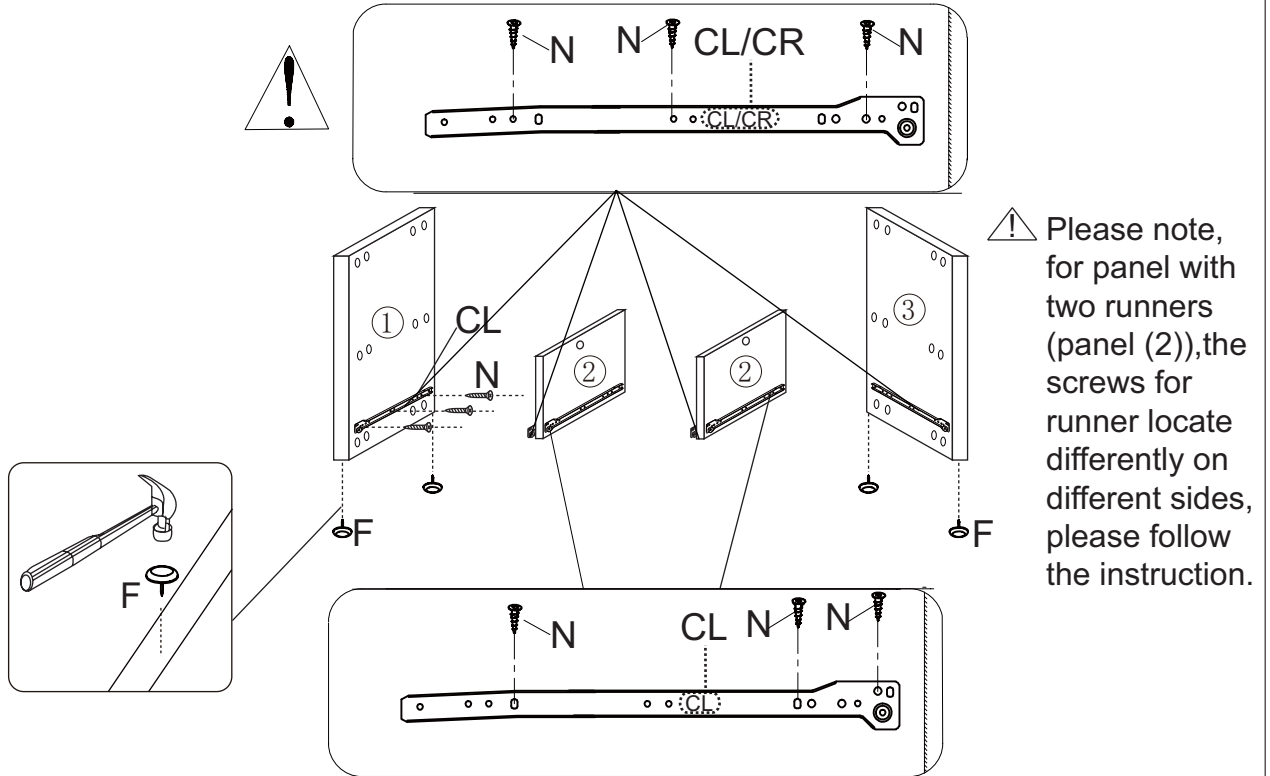


	14	3	321x555x2.7
	15	3	60x314x15
16	16-1	1	233x608x15
	16-2	1	233x608x15
	16-3	1	233x608x15

1



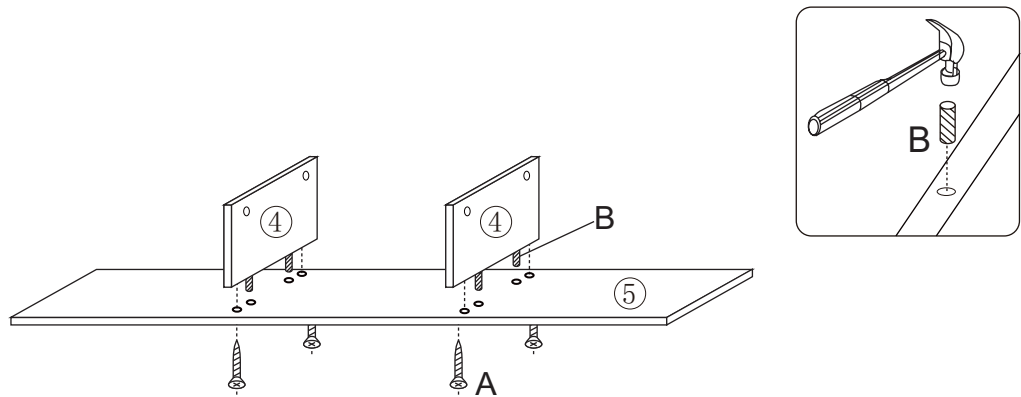
STEP 1A: Install runner (CL) to panel (1)&(3) with screw (N) .
B: Fix foot nail(F) to panel (1)&(3).



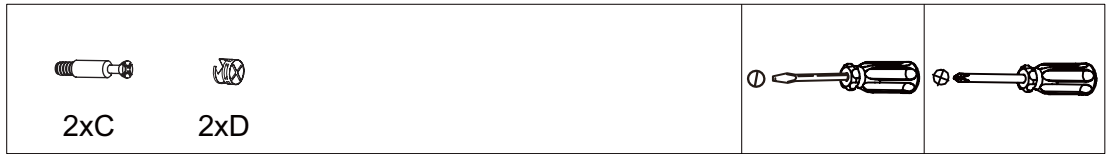
2



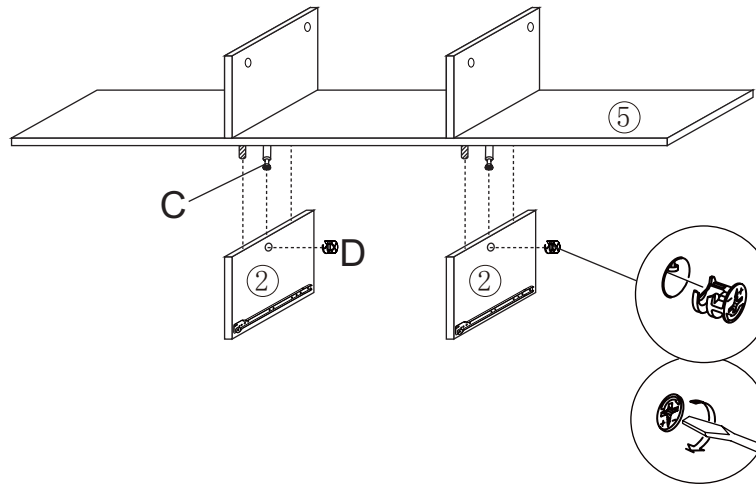
STEP 2: Attach panel (4) to panel (5), using screw (A) and dowel (B) .



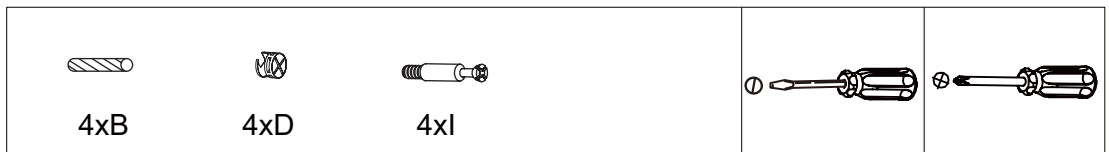
3



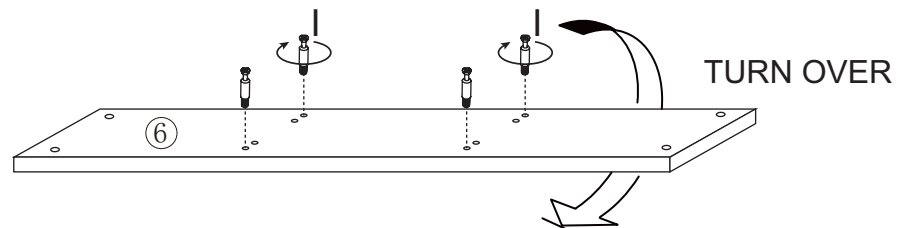
STEP 3: Attach panel (2) to panel (5), with cam lock parts (C)&(D).



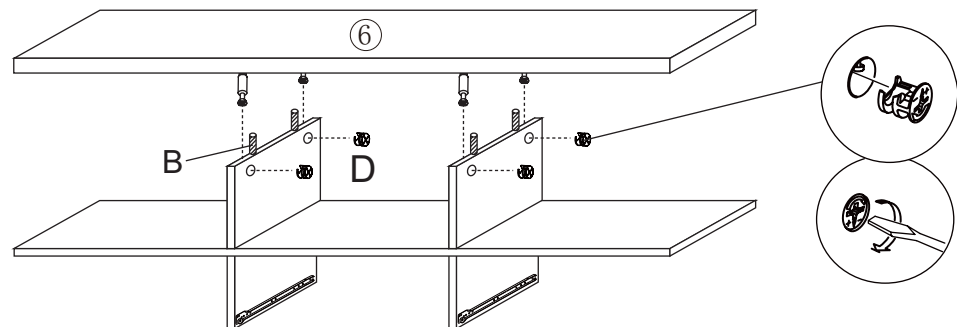
4



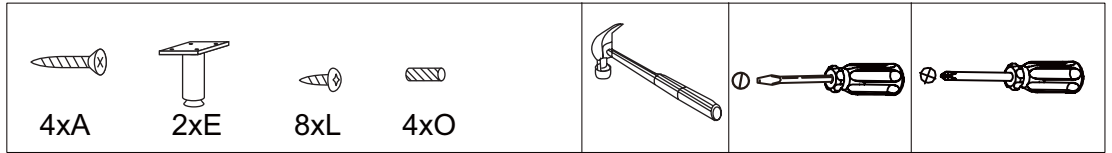
STEP 4A: Fix cam pin (I) to panel (6).



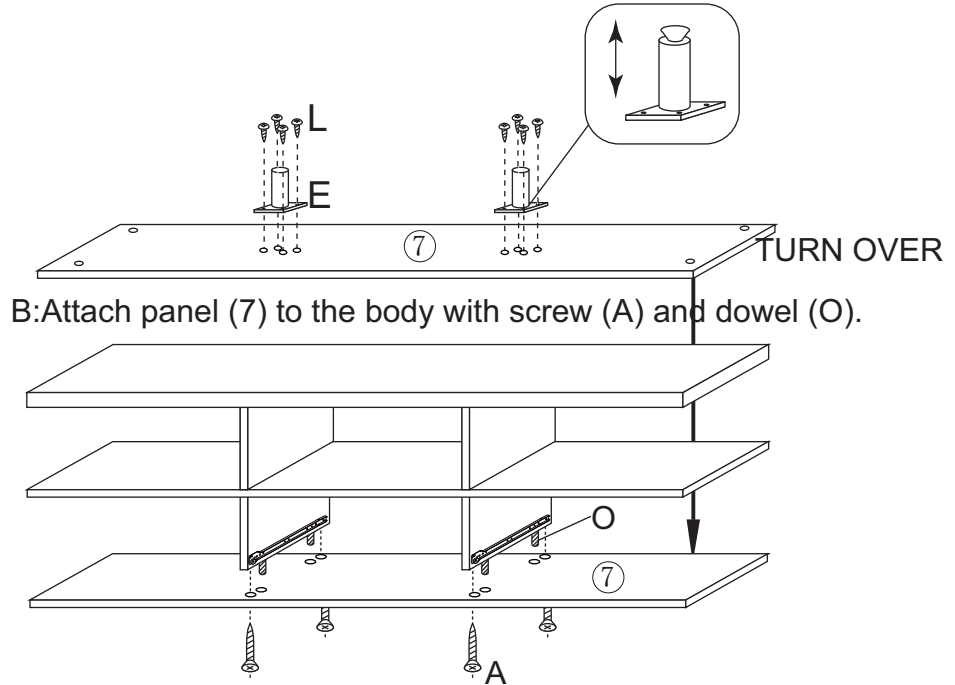
B: Attach panel (6) to the body, using dowel (B) and cam lock parts (D)&(I).



5



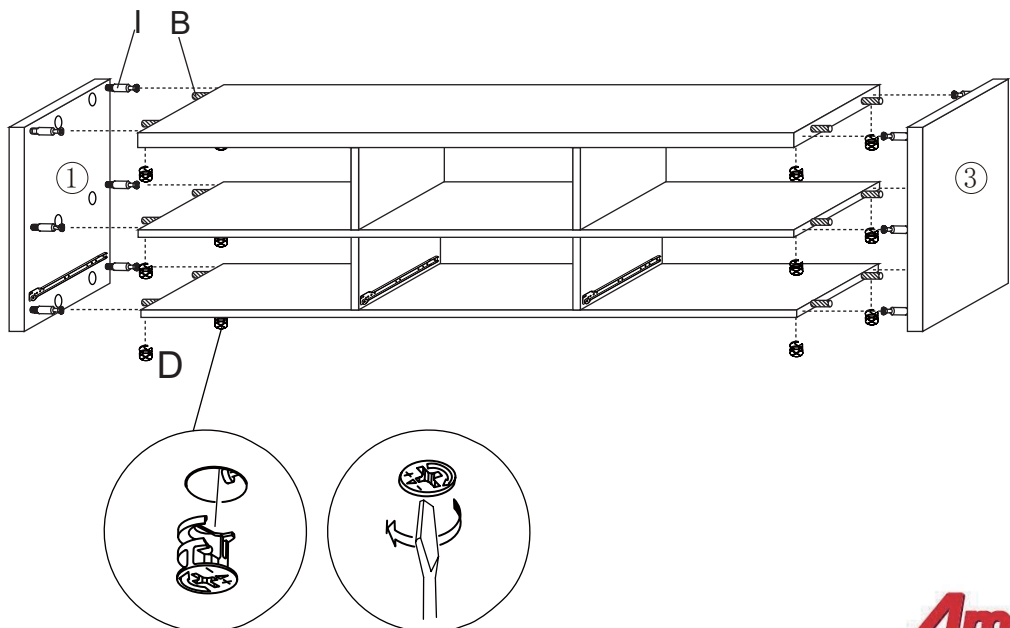
STEP 5A: Attach adjustable legs (E) to panel (7) with screws (L) .



6



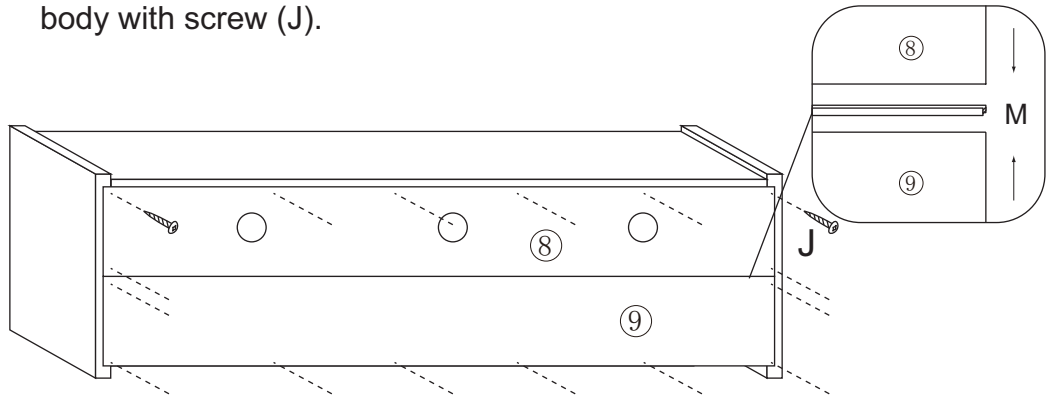
STEP 6: Attach panel (1)&(3) to the body with dowel (B) and cam lock parts (D)&(I).



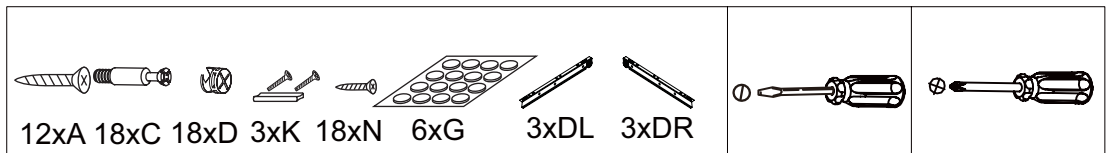
7



STEP 7: Join back panels (8)&(9) with filler (M), and attach back panels to the body with screw (J).



8

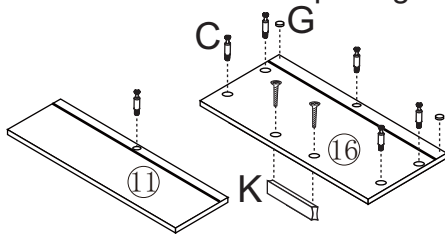


STEP 8: Install drawers as shown in diagram.

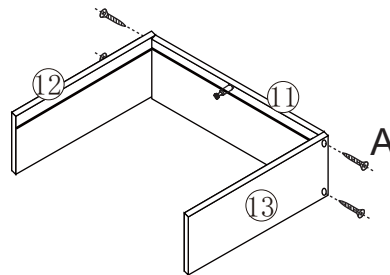
1A: Fix cam lock (C) and handle(K) to drawer front (16)

1B: Fix cam lock (C) to back panel (11).

1C: Stick part (G) to drawer corners to reduce noise when opening.



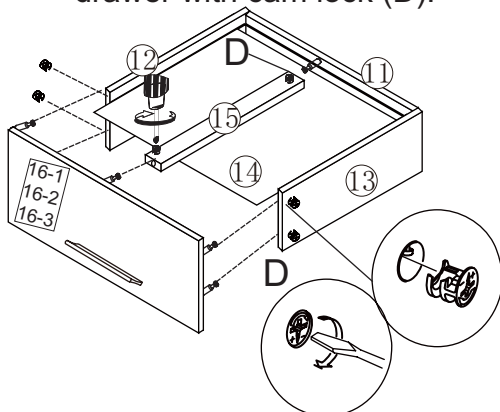
2: Join side panels (12)(13) and back panel(11) with screws (A).



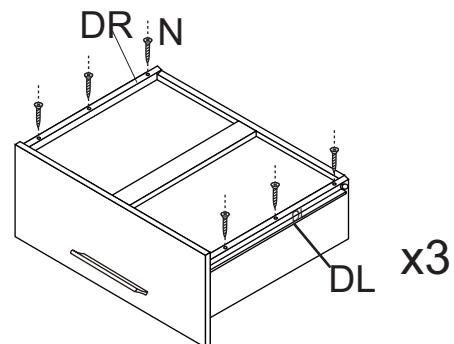
3A: Put bottom panel (14) into groove of panel(11)(12)and (13).

3B: Attach supporter (15) to back panel (11) with cam lock (C).

3C: Attach drawer front(16) to the drawer with cam lock (D).



4: Install runner(DL) to the bottom of drawer with screws(N).

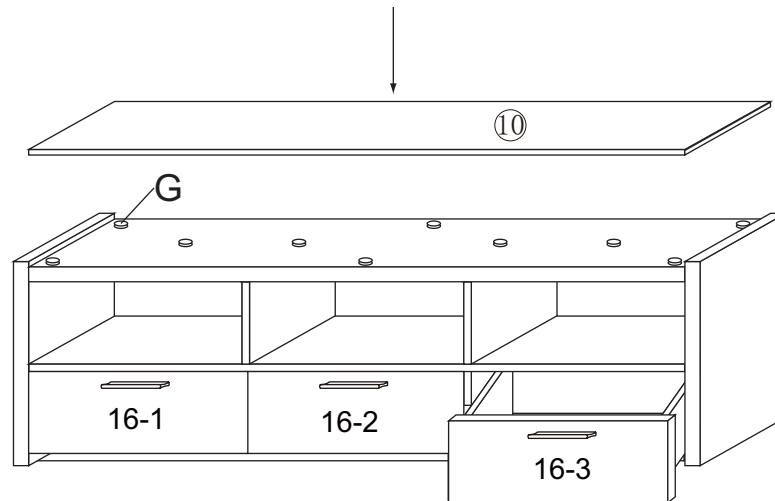


9



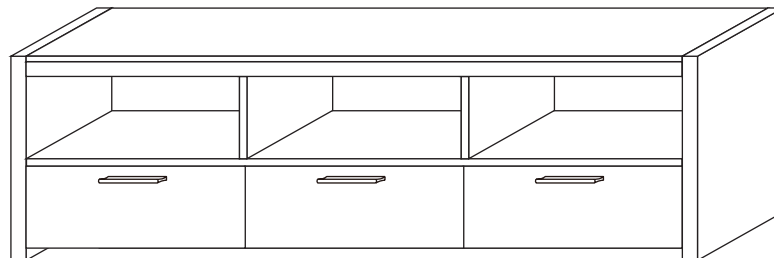
STEP 9A: Attach sticker (G) to table top, in order to secure the glass.


Please ensure glass is lined up correctly when placing on top of unit.



B: Assemble drawers to the body.

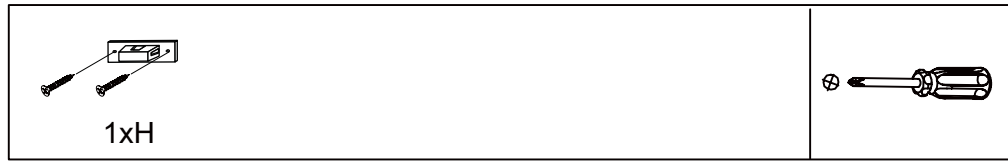
Please pay attention to identify 16-1, 16-2 and 16-3.



 **CAUTION:** This Entertainment unit has a 45kg recommended weight limit. Before placing your TV on the unit, please ensure the centrally located support legs are correctly adjusted to sit firmly on the floor in order to take the weight of your TV. Once this is done, your TV can be carefully placed on the unit.

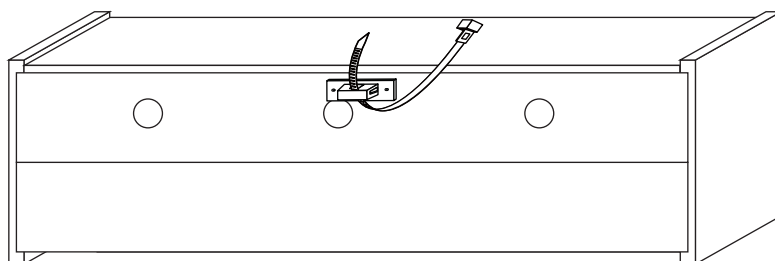
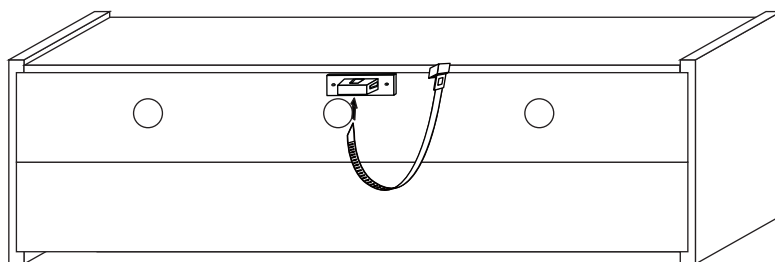
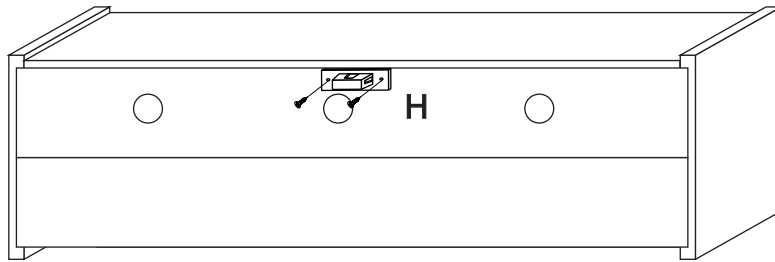
The job is now complete!

**In the interest of our environment
please dispose of all packaging thoughtfully.**



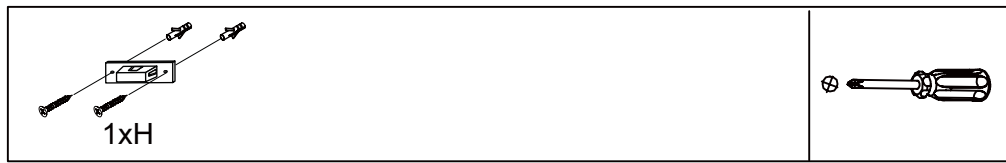
STEP 1: Fix bracket to back panel using screws M3.5*14MM .
Put plastic string into bracket.

NOTE - This product must be fixed to a wall. Please ensure the correct wall fixings are used. Failure to do so may result in personal injury or cause property damage if the product topples over. Please note that the screws are only suitable for plasterboard wall materials, please contact local hardware store for corresponding screws for other wall materials.

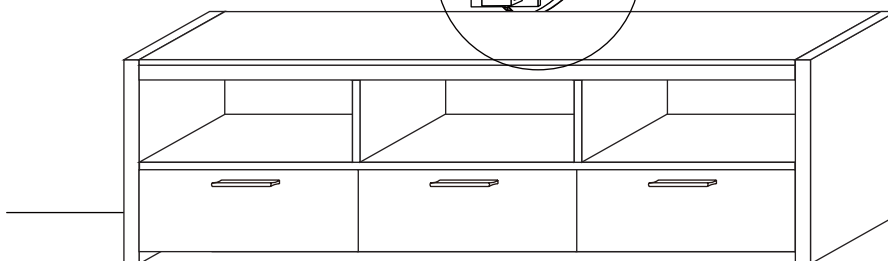
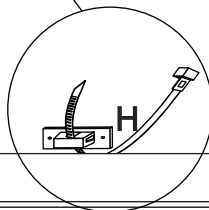
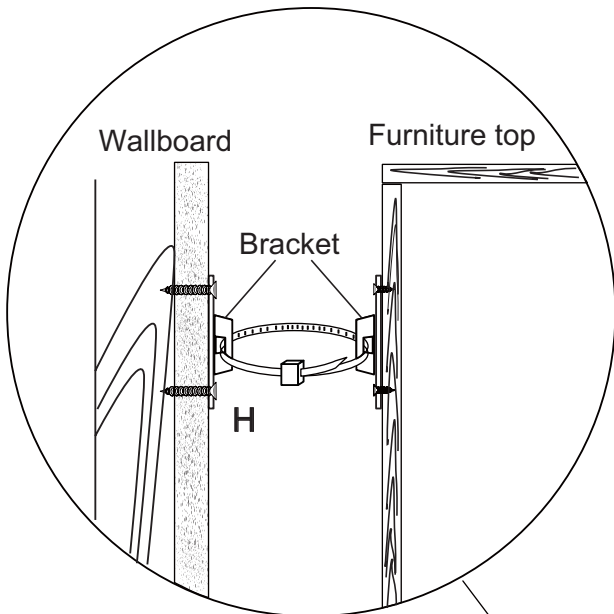
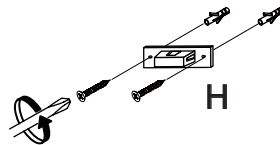


Amart
Furniture

Item Code: 51835



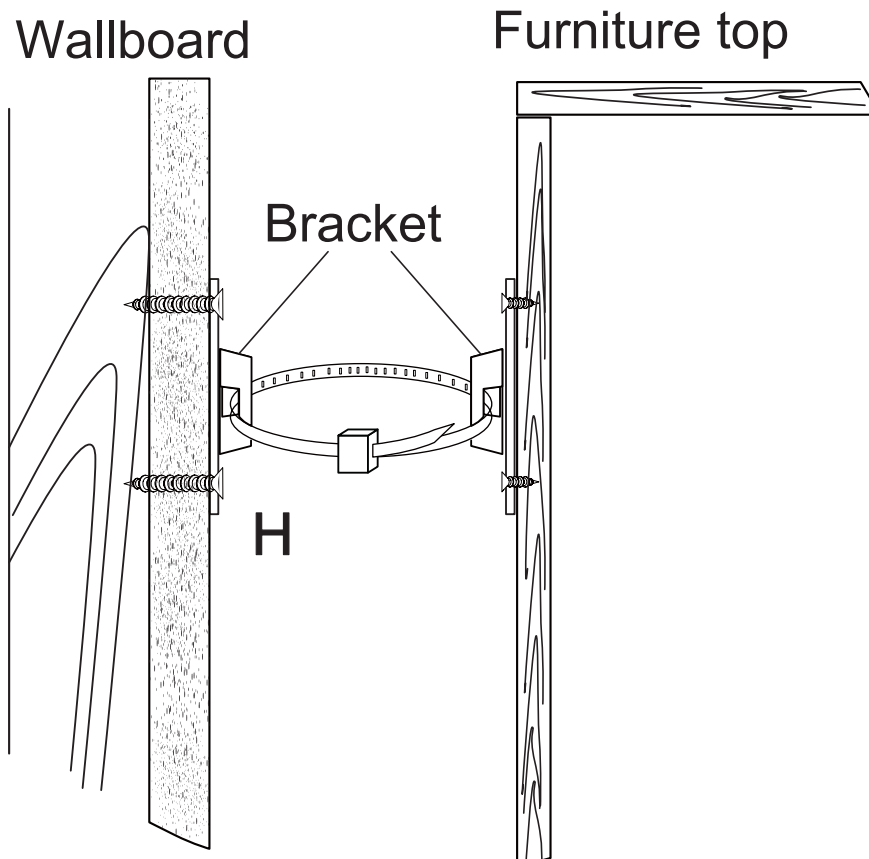
STEP 2: Fix bracket onto the wall using screws M4*30MM.
Join wallboard and the furniture with plastic sting.





SAFETY BRACKETS INSTRUCTIONS

1. Attach a bracket to the wallboard with the long screws provided.
2. Attach a bracket to the furniture frame under the top with the short screws provided.
3. Move the furniture into its final position. Thread a strap through the bracket as shown in the illustration, tighten strap until snug. Do not over tighten.
4. Make sure the bracket is firmly attached to the wallboard and furniture, and the strap is snug.



PRODUCT CARE:

To protect your furniture, we suggest the following:

*Avoid placing your furniture in direct sunlight.

*Do not place furniture directly under windows.

*Do not place sharp materials(knife, fork, etc) directly onto your furniture as sharp material may scrape and damage the finish.

Do not place material with high temperature directly onto the surface of your furniture.

*Protective padding is strongly recommended when using your furniture .

*Clean up spills quickly. Water left over a prolonged period of time may cause damage. Alcohol, perfume, nail polishes, aftershave and some medication may cause severe finish damage if not cleaned immediately.

*Use a clean, soft, dry, lint free absorbent cloth to clean your furniture. Do not use any detergent as they may contain ingredients that may react and damage the finish.

*If the glass is chipped or broken , stop using the product and consult the place of purchase.

*Do not drop, drag or strike glass.

*Do not sit or stand upon the glass surfaces.

*Do not place very hot or cold items on the glass unless adequately thick table mats are used to prevent such items coming in contact with the glass.

*Do not place heavy objects on glass.

*Avoid scratching the glass or using as a chopping surface.

*Do not strike the glass with hard or pointed items.

*When cleaning the glass panels, use a damp cloth with washing up liquid or soft soap if necessary. Do not use washing powders or any other substances containing abrasives that may potentially scratch the glass.